

PRODUCT SPECIFICATIONS LAC2

MODEL	RC180P	RC220Q	RC260R	RC300S
MAIN- FILTER DOWNFLOW	SEE FILTER SELECTION			
MAIN- FILTER EXHAUST	SEE FILTER SELECTION			
AIRFLOW VELOCITIES DOWNFLOW	North America: $>0.25\text{ms}^{-1}$ to 0.4ms^{-1} (Measured 50mm below diffuser face)			
	Europe: $>0.25\text{ms}^{-1}$ to 0.5ms^{-1} (Measured 50mm below diffuser face)			
AIRFLOW VELOCITIES INFLOW	North America: $>0.51\text{ms}^{-1}$ mean inflow through the front open aperture			
	Europe: $>0.40\text{ms}^{-1}$ mean inflow through the front open aperture			
INFLOW FAN TYPE	BC-B250-EC-01 FAN EC MOTOR 115V 50/60HZ Qty: 2			
	EC FAN R3G250-RE07-07 230V 50/60Hz Qty: 2			
DOWNFLOW FAN TYPE	GKHR 280-CIE.065.4EA IE HP 115V 50/60HZ Qty:4			
	FAN GKHM315-CIE.088.4EA, 230V 50HZ Qty: 4			
FAN CONTROL	Automatic, Programmable Nextion TFT Fan & Alarm Control System			
ALARM SYSTEM	Automatic, Programmable Nextion TFT Fan & Alarm Control System			
SOUND LEVEL	< 65dBA at 1 meter			
LIGHTNING	Integrated LED Lighting			
UV (optional)	UVc Germicidal type: Wavelength 253.7 nm			
FINISH EXT	Light Grey, Gloss Finish, Plastic Coating			
COMPLIANCE STANDARDS	BS7989:2001 Specification For Recirculatory Filtration Fume Cupboards			
	AFNOR NFX 15-211 Class 1 For Filter Retention Capacity			
	AFNOR NFX 15-203 For Containment			
	Bs EN 61010:2010 Safety Requirements for Electrical Equipment For Measurement, Control And Laboratory Use			
	BS EN 61326:2013 Electrical Equipment for Measurement, Control And Laboratory Use. EMC Requirements.			
	HEPA Filter: EN1822:2009			
	2015/863/EU Restriction of use of certain Hazardous Substances (RoHS3) Directive			

PRODUCT SPECIFICATIONS – POWER AND WEIGHT FOR LAC2

MODEL	RC180P	RC220Q	RC260R	RC300S	RC180P	RC220Q	RC260R	RC300S
	-1				-4			
ELECTRICAL	110V – 120V 60 Hz,				230V +10% -6% 50 Hz			
POWER CONSUMPTION <small>WITH ALL OPTIONS ADDED</small>	2186W				2646W			
LOAD AMPS <small>WITH ALL OPTIONS ADDED</small>	22.0A				14.0A			

MODEL	RC180P	RC220Q	RC260R	RC300S
NET WEIGHT				

FILTER SELECTION

Stock No.	Description	RC180P	RC220Q	RC260R	RC300S
ACF05/01	Acid Filter, size #5, Qty 1	Ⓔ	Ⓔ	Ⓔ	Ⓔ
AMF05/01	Ammonia Filter, size #5, Qty 1	Ⓔ	Ⓔ	Ⓔ	Ⓔ
FHF05/01	Formaldehyde Filter, size #5, Qty 1	Ⓔ	Ⓔ	Ⓔ	Ⓔ
HPF05/01	HEPA Filter, size #5, Qty 1	Ⓔ	Ⓔ	Ⓔ	Ⓔ
HPF06/04	HEPA Filter, size #6, Qty 4	Ⓓ			
HPF06/05	HEPA Filter, size #6, Qty 5		Ⓓ		
HPF06/06	HEPA Filter, size #6, Qty 6			Ⓓ	
HPF06/07	HEPA Filter, size #6, Qty 7				Ⓓ
MPF05/01	Multi-Purpose Filter, size #5, Qty 1	Ⓔ	Ⓔ	Ⓔ	Ⓔ
OSF05/01	Organic Solvent Filter, size #5, Qty 1	Ⓔ	Ⓔ	Ⓔ	Ⓔ
PRF05/01	Prefilter, size #5, Qty 1	Ⓟ	Ⓟ	Ⓟ	Ⓟ
ULF05/01	ULPA Filter, size #5, Qty 1	Ⓔ	Ⓔ	Ⓔ	Ⓔ
ULF06/04	ULPA Filter, size #6, Qty 4	Ⓓ			
ULF06/05	ULPA Filter, size #6, Qty 5		Ⓓ		
ULF06/06	ULPA Filter, size #6, Qty 6			Ⓓ	
ULF06/07	ULPA Filter, size #6, Qty 7				Ⓓ

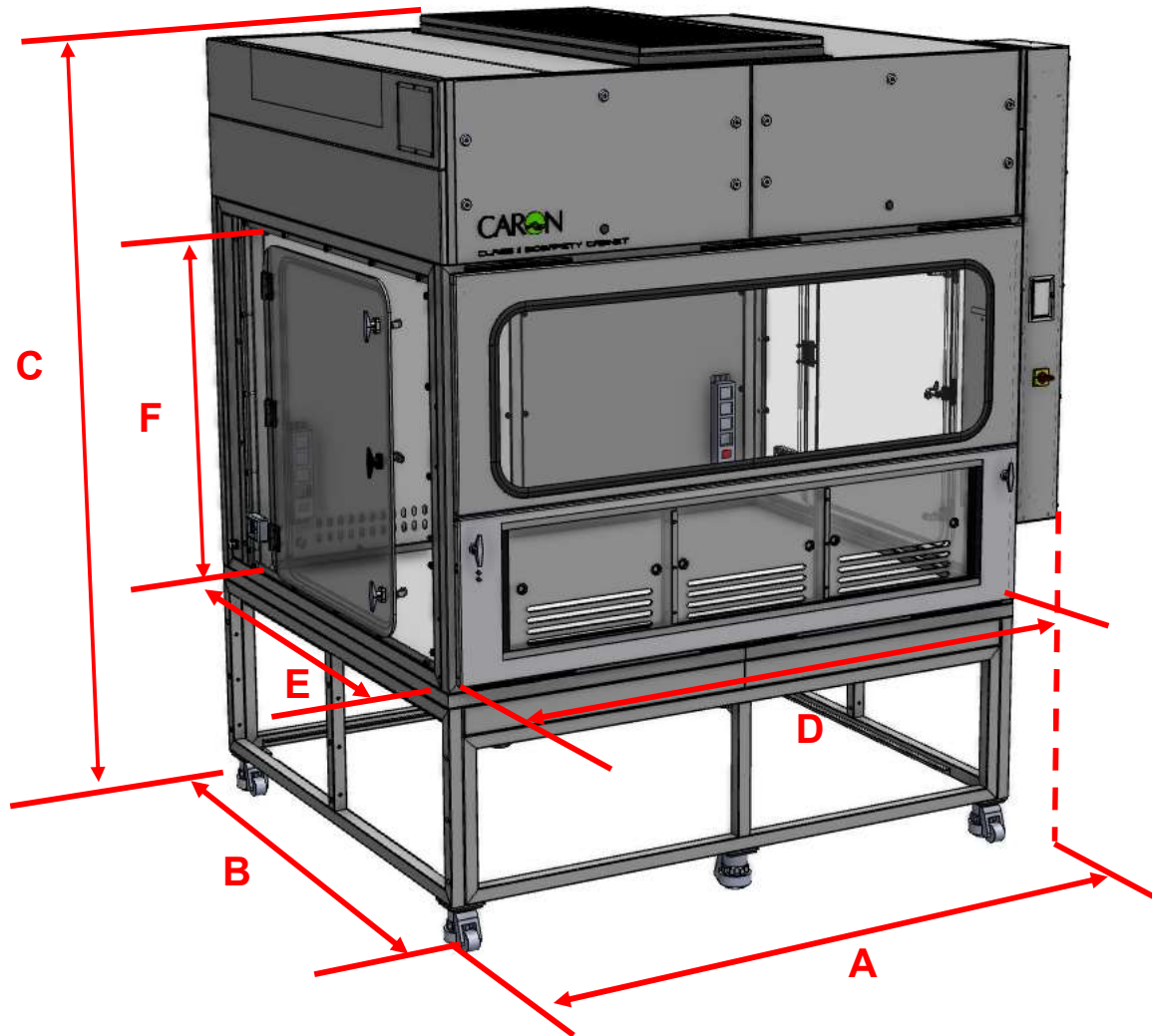
KEY:

Ⓔ – Exhaust Filters

Ⓓ - Downflow Filters

Ⓟ - Prefilter

DIMENSIONAL REFERENCES FOR LAC2



MODEL	'A' EXTERNAL WIDTH	'B' EXTERNAL DEPTH	'C' EXTERNAL HEIGHT	'D' INTERNAL WIDTH	'E' INTERNAL DEPTH	'F' INTERNAL HEIGHT
RC180P	1948mm	1550mm	2344mm	1716mm	1196mm	1063mm
RC220Q	2330mm	1550mm	2344mm	2115mm	1196mm	1063mm
RC260R	2743mm	1550mm	2344mm	2516mm	1196mm	1063mm
RC300S	3147mm	1550mm	2344mm	2916mm	1196mm	1063mm